

1

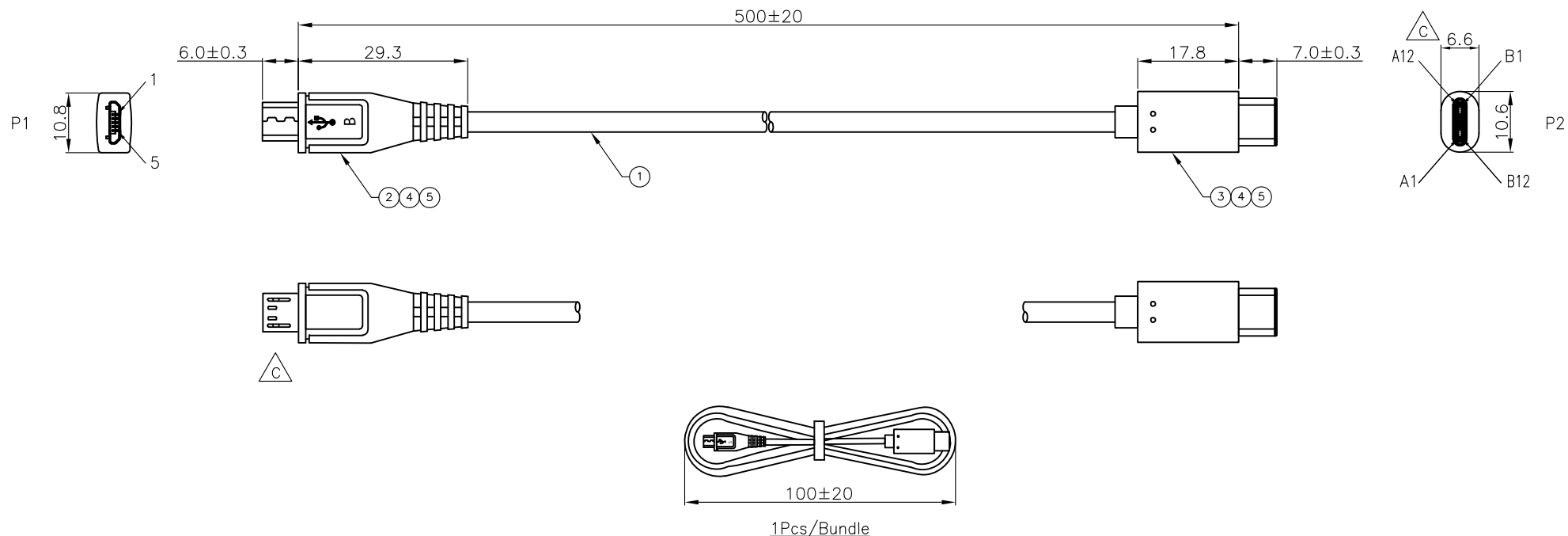
2

3

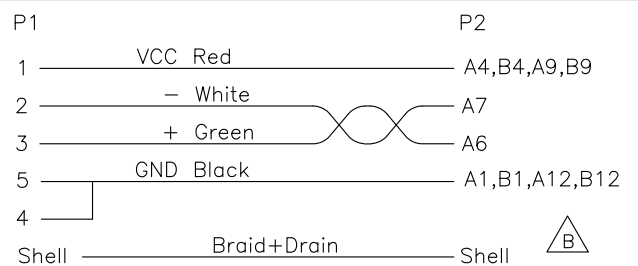
4

5

RoHS Compliant



PIN OUT:



Technical Requirements:

- 1.This product must comply with ROHS environmental requirements.
- 2.Appearance without mixed colors, lack of glue phenomenon.
- 3.Surface clean, no scratches, no adherents.
- 4.No misalignment, short circuit, false connection of contacts.
- 5.100% short-circuit, disconnect, misalignment, conduction test.

ITEM	PART NO.	DESCRIPTION	Q'TY
1	810C-1P2C2824ADB4.5BK	UL2725 28AWG*1P+24AWG*2C+AEB PVC Jacket OD:4.5mm Color:Black	A/R
2	5075MBP-05C	Micro USB 5P Insulator Black 4P&5P Short	1
3	5077CP-16-CX	Type C 2.0 Plug Insulator Black Shell Nickel	1
4	827-PE	Inner molding PE Transparent	A/R
5	827-PVC-45P-BK	Outer moldng PVC 45P Black	A/R

REV	DATE	FILE	BY	DRAWN:	GENERAL TOLERANCE:	DESCRIPTION:	SIZE
F				Andrew	.X=±0.5 .XX=±0.3	MICRO USB TO TYPE C/M CABLE	A4
E				Andrew			
D				Andrew			
C	20-Mar-2026	△C Modify the appearance	Andrew	CHECKED: Bill He	UNIT: MM		
B	24-Feb-2026	△B modify pin out	Andrew		SCALE: 1:1		
A	22-Jan-2026	(PUR183)	Andrew	APPROVAL: Bill He	SHEET: 1/1	PART NO: USBC-J260122-201	
					PROJECTION:		


Neltron Industrial Co., Ltd.