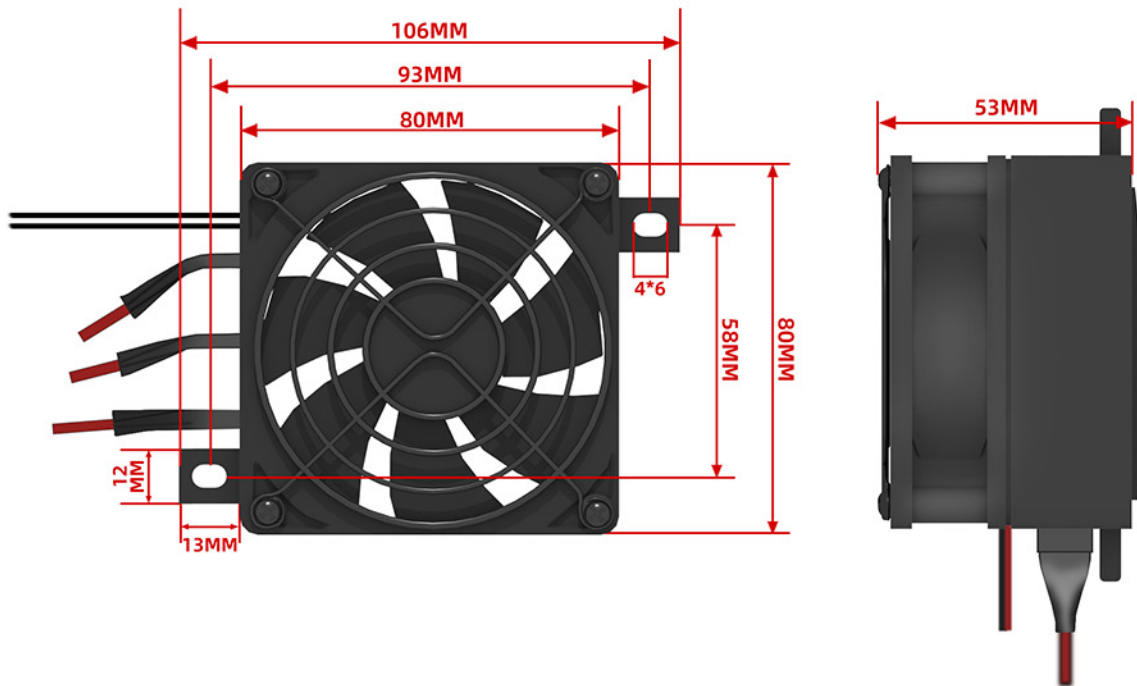


Fan Heater

Basic Parameters



Product Model	MZ80A3-220V-400W-25ECB	Product Dimension (L * W * H mm)	80x106x53(±1)
Mounting Hole Dimension	4*6mm(±1)	Installation Distance	93x58mm(±1)
PTC Wire Fan Wire Material	Teflon/Silicone	Wire Length	250+mm
Resistance Wire Temperature	> 200°C	Strip Length	10mm
Heating Material	PTC	Bracket material	PA66
Heat shrinkable tube sleeve temperature resistance	> 300°C	Heater Life	> 20000h



Fan heater parameters R≈25°C

Product Code	Rated Voltage	Fan Rated Voltage	Rated Power (±20%)	Inrush Power (±20%)
MZ80A3-220V-400W-25ECB	220V	220V	400W	≤1300W
PTC Withstand Voltage	Fan Withstand Voltage	Rated Current (±20%)	Impulse Current (±20%)	Chip Temperature
400V	220V	1.7A	< 5A	TS260