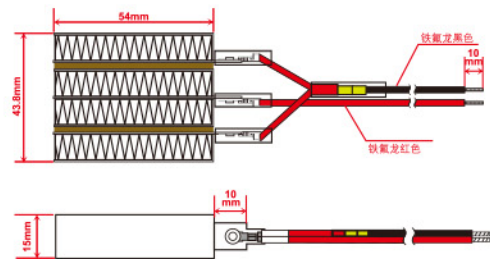
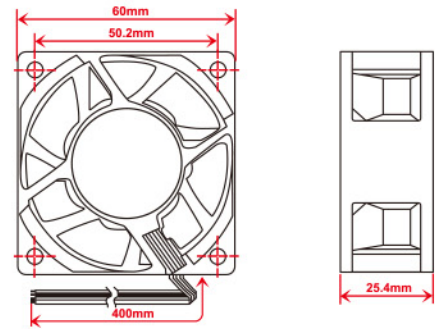
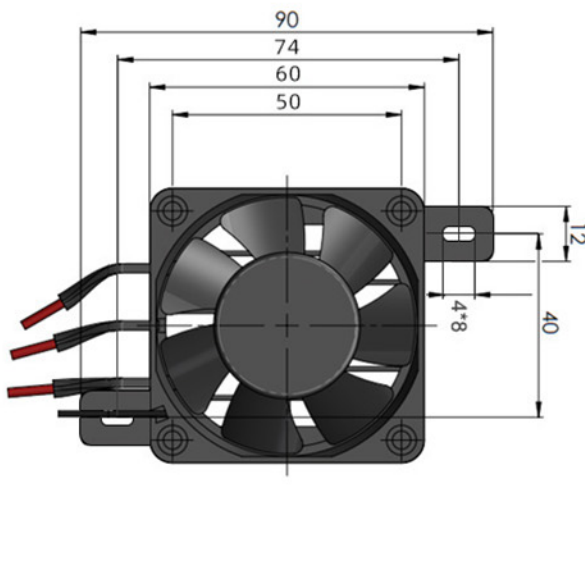


## Fan Heater

### Basic Parameters



Product Model	MZ60-FJ200-220V-JY	Product Dimension (L * W * H mm)	90x60x52 (±1)
Mounting Hole Dimension	4*8mm (±1)	Installation Distance	74x40mm (±1)
PTC Wire Fan Wire Material	Teflon/Silicone	Wire Length	250mm
Resistance Wire Temperature	> 200°C	Strip Length	10mm
Heating Material	PTC	Bracket material	PA66
Heat shrinkable tube sleeve temperature resistance	> 300°C	Heater Life	> 20000h



### Fan heater parameters R≈25°C

Product Code	Rated Voltage	Fan Rated Voltage	Rated Power (±20%)	Inrush Power (±20%)
MZ60-FJ200-220V-JY	220V	220V	200W	≤1000W
PTC Withstand Voltage	Fan Withstand Voltage	Rated Current (±20%)	Impulse Current (±20%)	Chip Temperature
400V	220V	0.46A	< 4.5A	TS260

\*Voltage, power and fan specifications can be customized