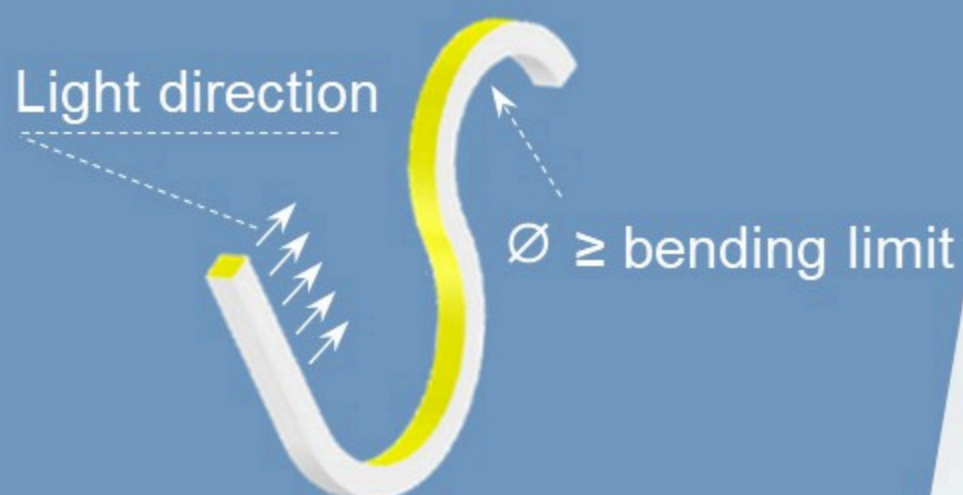


NVF1205

W: 12mm
x
H: 5mm

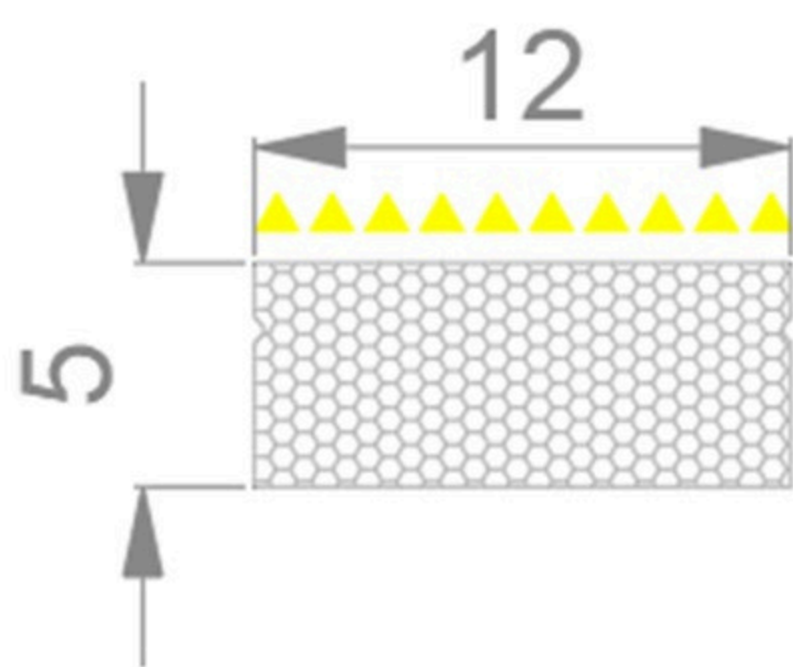
Vertical Bending



ECOSCAN®



Cross Section



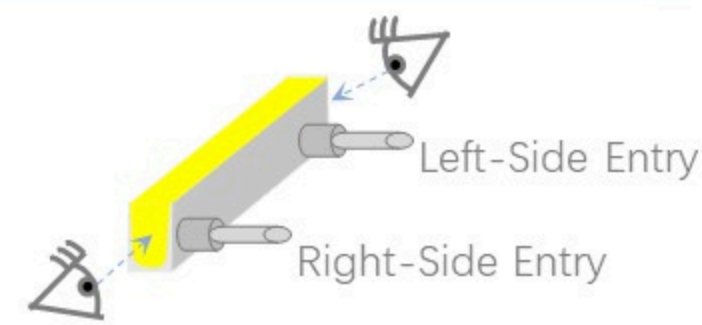
End Processing



Axial Entry



Bottom Entry



Side Entry



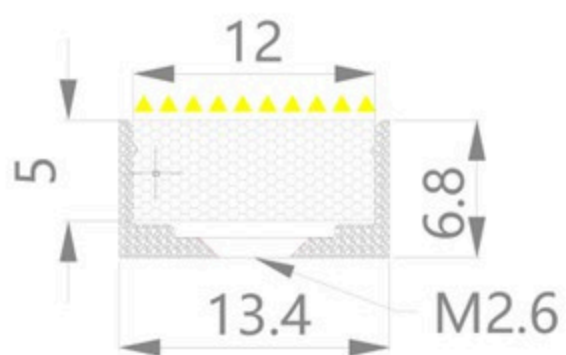
Cap sealed by silicon glue

Mounting Accessory

Aluminum Channel



Length: 20mm
EG-ANF-IC1205-A-20

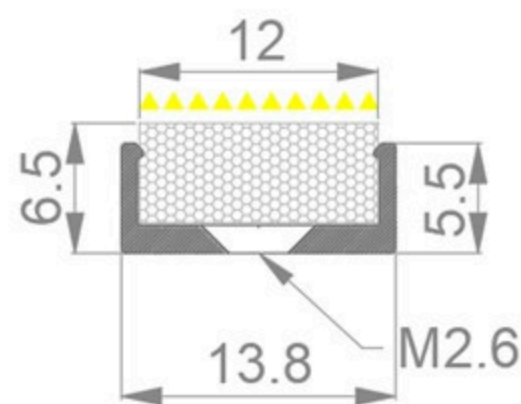


Length: 1000mm
EG-ANF-IC1205-A-1000

Transparent Channel

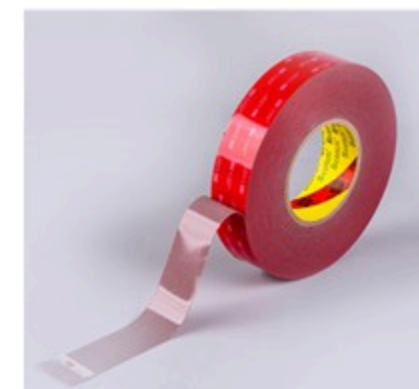


Length: 20mm
EG-ANF-IC1205-PC-20



Length: 1000mm
EG-ANF-IC1205-PC-1000

3M adhesive tape



NVF1205 - Mono White

※ 1800K, 2100K, 2400K, 5000K available

Item Code	CRI	Power /m	2700K	3000K	4000K	6500K	Max-Load @Single feed	Input	Cut-unit	Bending Limit	IP Rate
EG-NVF1205-C24-W	Ra≥90	5 W	331 lm	356 lm	374 lm	371 lm	25 m	DC24V	50mm	ø≥60mm	IP67
	Ra≥90	12 W	765 lm	823 lm	864 lm	856 lm	15 m	DC24V	50mm	ø≥60mm	IP67
EG-NVF1205-C24-W-SH	Ra≥90	12 W	871 lm	947 lm	966 lm	994 lm	15 m	DC24V	50mm	ø≥60mm	IP67
EG-NVF1205-C24-W-HH	Ra≥90	13.5 W	1303 lm	1417 lm	1445 lm	1431 lm	5 m	DC24V	62.5mm	ø≥60mm	IP67
EG-NVF1205-V24-W-FC	Ra≥90	5 W	306 lm	309 lm	340 lm	337 lm	12.5 m	DC24V	Free Cut	ø≥60mm	IP67
	Ra≥90	12 W	706 lm	713 lm	784 lm	777 lm	8 m	DC24V	Free Cut	ø≥60mm	IP67
EG-NVF1205-V24-W-FC-H	Ra≥95 R9≥95	5 W	409 lm	413 lm	454 lm	433 lm	6 m	DC24V	Free Cut	ø≥60mm	IP67
	R10≥90 R12≥90	12 W	889 lm	898 lm	988 lm	943 lm	3.5 m	DC24V	Free Cut	ø≥60mm	IP67

NVF1205 - Dynamic White

※ Other color range available

Item Code	CRI	Power /m	Max	2700K	~	6500K	Max-Load @Single feed	Input	Cut-unit	Bending Limit	IP Rate
EG-NVF1205-V24-WC	Ra≥90	2x 9.6 W	685 lm	612 lm		685 lm	7 m	DC24V	62.5mm	ø≥60mm	IP67
EG-NVF1205-V24-WC-HH	Ra≥90	2x 10 W	1091 lm	976 lm		1091 lm	4 m	DC24V	83.3mm	ø≥60mm	IP67
	Ra≥90	2x 13 W	1419 lm	1269 lm		1419 lm	3 m	DC24V	83.3mm	ø≥60mm	IP67

*** Note: Total Operating power must be within single channel max power. (e.g.: Operating power of EG-NVF1205-V24-WC ≤ 9.6W)

NVF1205 - Dim To Warm

※ Other color range available

Item Code	CRI	Power /m	3000K	1800K	Max-Load @Single feed	Input	Cut-unit	Bending Limit	IP Rate
EG-NVF1205-V24-DTW-VR	Ra≥95	12W	750 lm	/ lm	5 m	DC24V	62.5mm	ø≥100mm	IP67
EG-NVF1205-V24-DTW-VR-216	Ra≥95	12W	683 lm	/ lm	5 m	DC24V	83.3mm	ø≥100mm	IP67
EG-NVF1205-V24-DTW-PWM	Ra≥95	12W	750 lm	/ lm	5 m	DC24V	62.5mm	ø≥100mm	IP67

NVF1205 – RGB @ Perfect “White Balance”

Item Code	Power /m	Full Load	= Red 4W	+ Green 4W	+ Blue 4W	Max-Load @Single feed	Input	Cut-unit	Bending Limit	IP Rate
EG-NVF1205-V24-RGB	12 W	514 lm	108 lm	333 lm	73 lm	7 m	DC24V	62.5mm	ø≥100mm	IP67