

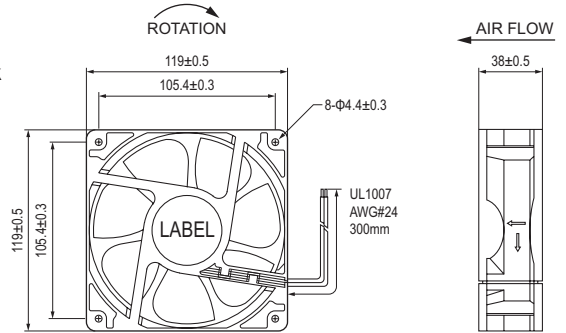
DC12038

Size: 120×120×38mm



General Specification

Frame / Impeller: Plastic
 Lead Wire: AWG#24 or Equivalent (+)Red, (-)Black
 Ball Bearing 50,000Hrs(40°C)
 Sleeve Bearing 30,000Hrs(40°C)
 Operating temperature: -10°C~+70°C
 Storage temperature: -40°C~+70°C



Model Number	# Bearing Type	Rated Voltage (VDC)	Operating Voltage (VDC)	Input Current (A)	Input Power (W)	Speed (RPM)	Max Air Volum		Max Static Pressure		Noise (dB-A)	Weight (g)
							(CFM)	m ³ /min	Inch-H ₂ O	mm-H ₂ O		
DC12038#12L	B.S	12	7.0~13.8	0.26	3.12	2300	95.00	2.69	0.236	6.0	40.0	262.0
DC12038#12M	B.S	12	7.0~13.8	0.46	5.52	2900	120.07	3.40	0.354	9.0	48.0	262.0
DC12038#12H	B.S	12	7.0~13.8	0.60	7.20	3200	129.96	3.68	0.420	10.7	53.0	262.0
DC12038#12U	B.S	12	7.0~13.8	1.05	12.60	3700	151.85	4.30	0.571	14.5	58.0	262.0
DC12038#24L	B.S	24	14.0~27.6	0.19	4.56	2300	95.00	2.69	0.236	6.0	40.0	262.0
DC12038#24M	B.S	24	14.0~27.6	0.30	7.20	2900	120.07	3.40	0.354	9.0	48.0	262.0
DC12038#24H	B.S	24	14.0~27.6	0.38	9.12	3200	129.96	3.68	0.420	10.7	53.0	262.0
DC12038#24U	B.S	24	14.0~27.6	0.50	12.00	3700	151.85	4.30	0.571	14.5	58.0	262.0
DC12038#48L	B.S	48	28.0~56.0	0.08	3.84	2300	95.00	2.69	0.236	6.0	40.0	262.0
DC12038#48M	B.S	48	28.0~56.0	0.15	7.20	2900	120.07	3.40	0.354	9.0	48.0	262.0
DC12038#48H	B.S	48	28.0~56.0	0.18	8.64	3200	129.96	3.68	0.420	10.7	53.0	262.0

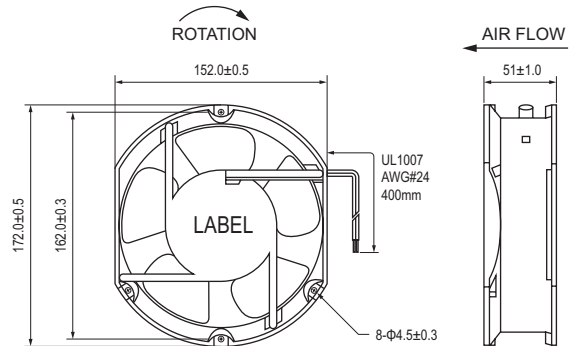
DC17050

Size: 170×152×51mm



General Specification

Frame / Impeller: Aluminum Alloy
 Lead Wire: AWG#24 or Equivalent (+)Red, (-)Black
 Ball Bearing 50,000Hrs(40°C)
 Sleeve Bearing 30,000Hrs(40°C)
 Operating temperature: -10°C~+70°C
 Storage temperature: -40°C~+70°C



Model Number	# Bearing Type	Rated Voltage (VDC)	Operating Voltage (VDC)	Input Current (A)	Input Power (W)	Speed (RPM)	Max Air Volum		Max Static Pressure		Noise (dB-A)	Weight (g)
							(CFM)	m ³ /min	Inch-H ₂ O	mm-H ₂ O		
DC17050#12L	B	12	7.0~13.8	0.79	9.48	1800	160.0	4.5	0.359	9.11	44.0	740.0
DC17050#12M	B	12	7.0~13.8	1.35	16.20	2200	194.2	5.5	0.438	11.13	51.0	740.0
DC17050#24L	B	24	14.0~27.6	0.56	13.44	2200	194.2	5.5	0.438	11.13	44.0	740.0
DC17050#24M	B	24	14.0~27.6	0.97	23.28	2750	242.76	6.875	0.544	13.8	51.0	740.0
DC17050#24H	B	24	14.0~27.6	2.30	55.20	3600	320.0	9.0	0.71	18.22	59.0	740.0
DC17050#48L	B	48	28.0~56.0	0.40	19.20	2200	194.2	5.5	0.438	11.13	44.0	740.0
DC17050#48M	B	48	28.0~56.0	0.50	24.00	2750	242.76	6.875	0.544	13.8	51.0	740.0
DC17050#48H	B	48	28.0~56.0	0.60	28.80	3400	300.14	8.49	0.073	17.06	59.0	740.0