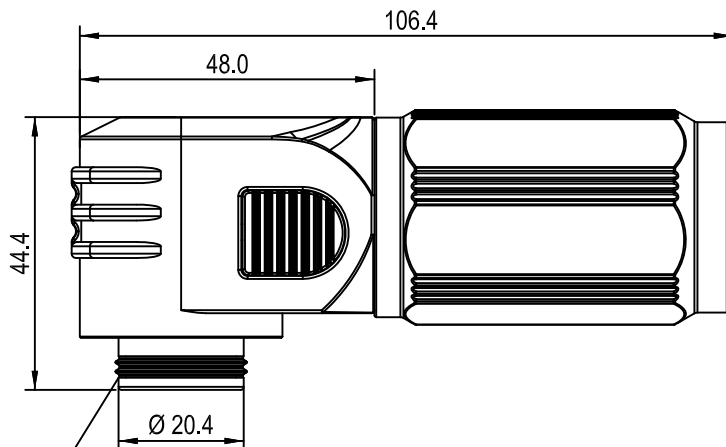
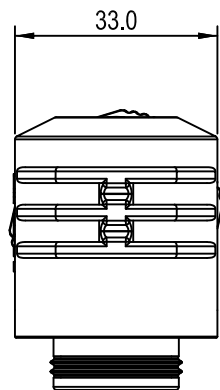
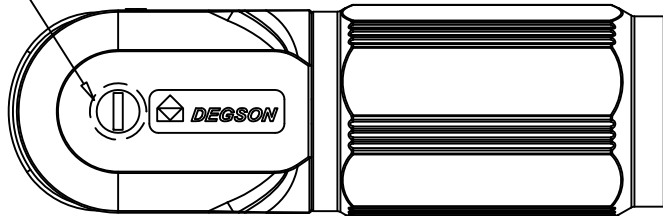


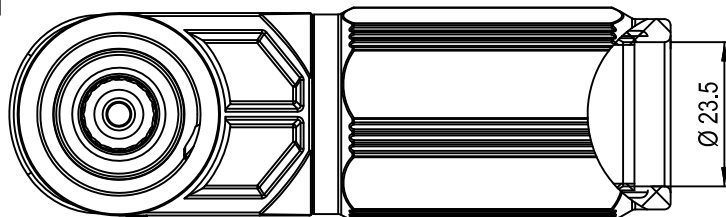
Dimensional tolerance(mm)				
0	>30	>60	>100	>150
~30	~60	~100	~150	
±0.25	±0.30	±0.50	±0.80	±1.0



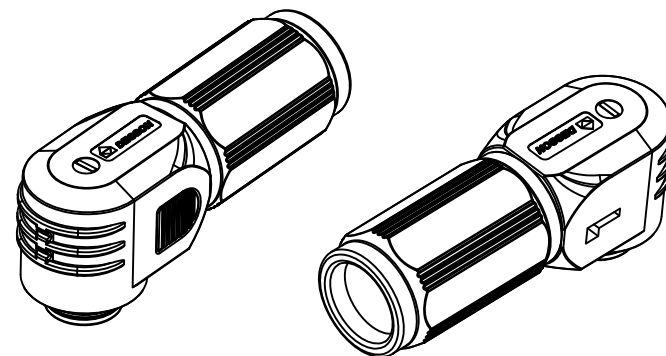
正极 “+”
负极 “-”



正极尺寸: Ø21.6mm
负极尺寸: Ø20.4mm



技术要求/Technical requirements:	
颜色(Color)	Black, Orange, Red
锁紧方式(Locking method)	卡扣(Buckle)
接线方式(Terminal)	Copper Screw
外壳材料(Housing material)	PA+GF
接触件材料(Connector material)	铜合金(Copper alloy)
插入力(Insertion force)	80N Max
拔出力(Withdrawal force)	>10N
插拔次数/Mechanical working life(mating cycles)	100
接线规格(Wiring specifications)	250kcmil
建议剥线长度(Suggested stripping length)	22~24mm(Crimp type)
线径OD(Wire diameter)	20~22mm(Crimp type)
额定电压(Rated voltage)	1500V DC
耐电压(Withstanding voltage)	6800V
额定电流(Rated current)	400A
绝缘电阻(Insulation resistance)	≥5000MΩ (drying)
接触电阻(Contact resistance)	≤0.5mΩ
过电压等级(Overvoltage category)	III
污染等级(Pollution degree)	3
使用温度范围(Operating temperature)	-40~+125°C (including temperature rise)
盐雾(Salt spray)	48H
储存温度(Storage temperature)	-40~+85°C
阻燃等级(Flame retardant ability)	UL94-V0
防护等级(Ingress protection)	IP67(Mated)
符合RoHS环保要求(Conform to RoHS)	Yes



ESP-400A-250-XX-00

Color: BK : Black 负极
OR : Orange 正极
RD : Red 正极

		MATERIAL:	SURFACE/COLOR:		
APPD:		MAT NO./REV:	MAT STATUS:		
CHKD:		NAME			
DRFT:		ESP-400A-250-XX-00			
REV	ECN	DESCRIPTION	DRFT	DATE	DRAWING NO.
					TYPE
					CUSTOMER DRAWING
					DRAWING STATUS
					SCALE
					1:1
					SHEET
					1/1